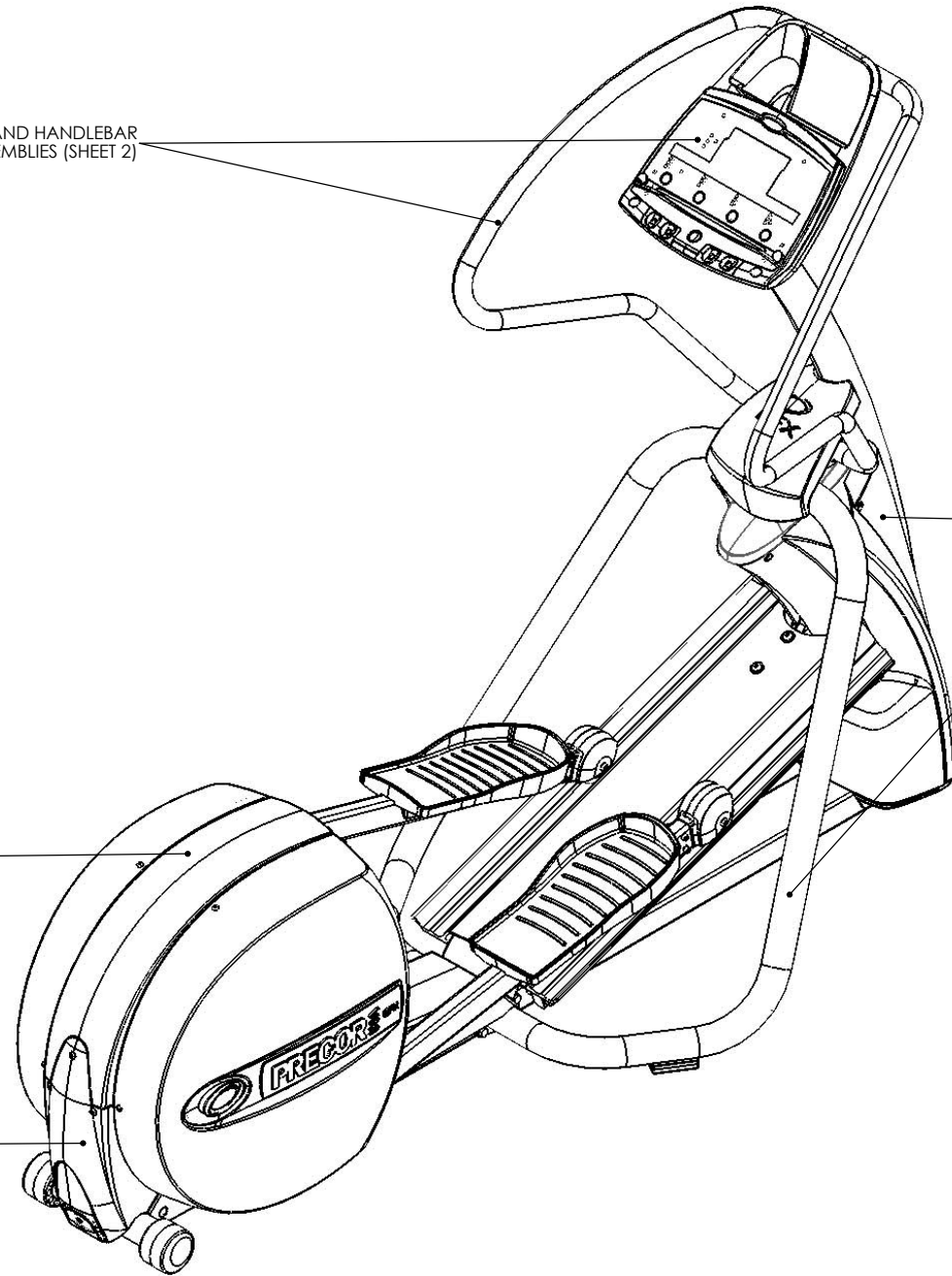


DISPLAY AND HANDLEBAR  
ASSEMBLIES (SHEET 2)

FRONT COVER AND MAIN TUBE  
ASSEMBLIES (SHEET 3)

DRIVE ASSEMBLY (SHEETS 5,6)

REAR COVER ASSEMBLY (SHEET 7)



C546i NAVY

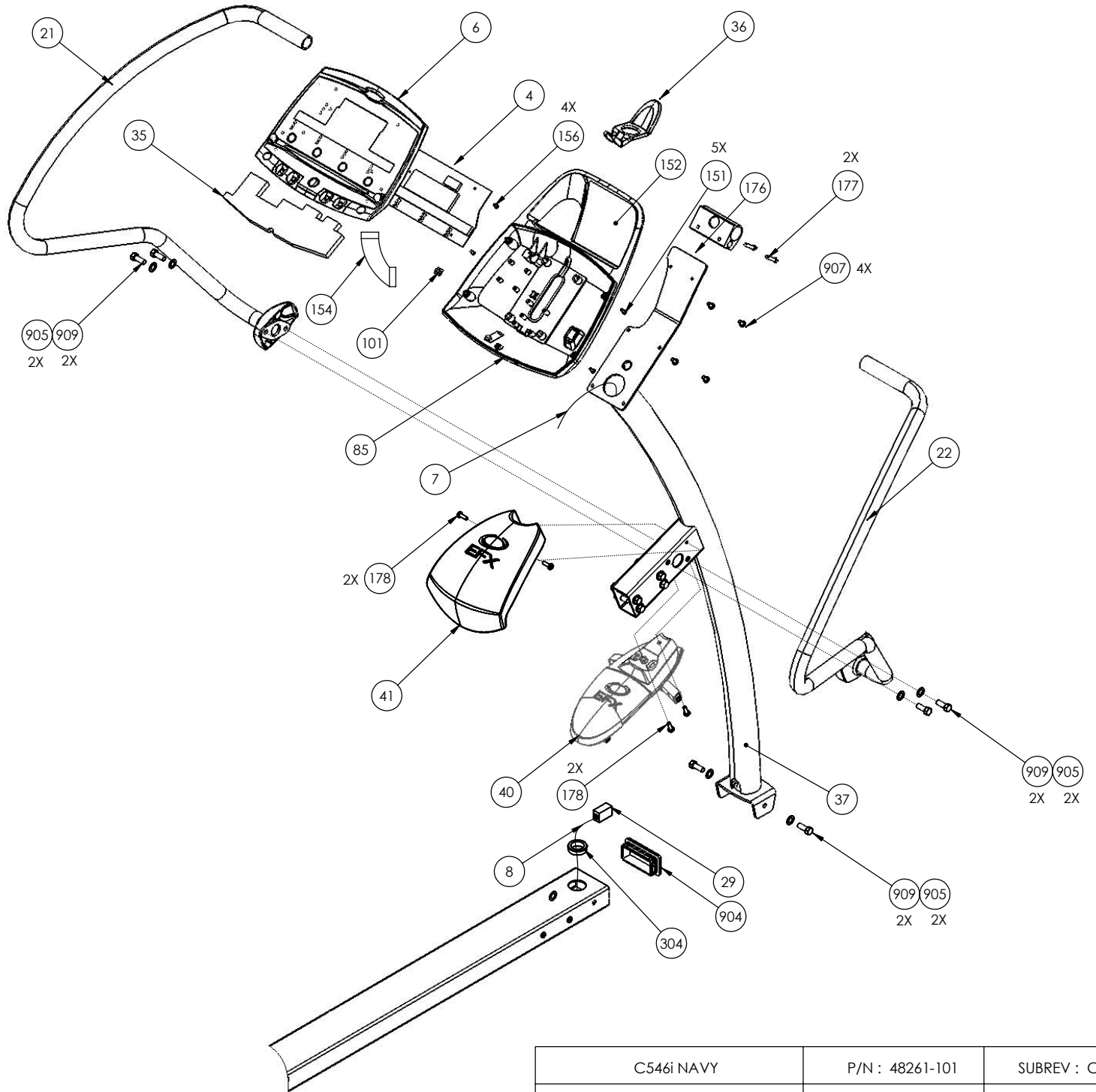
P/N : 48261-101

SUBREV : C

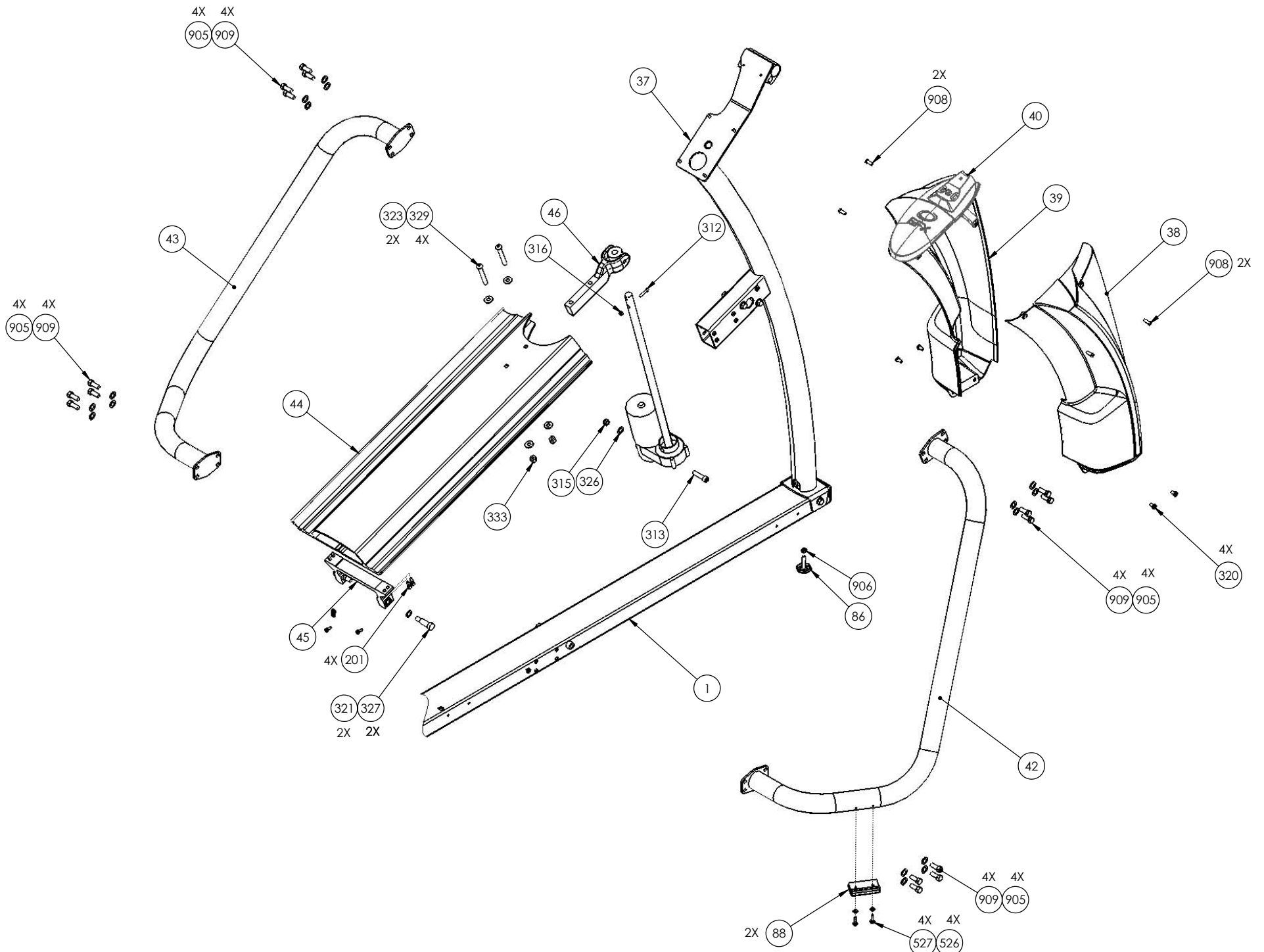
DRAWN BY : GRANADOSIN

DATE : 05.11.05

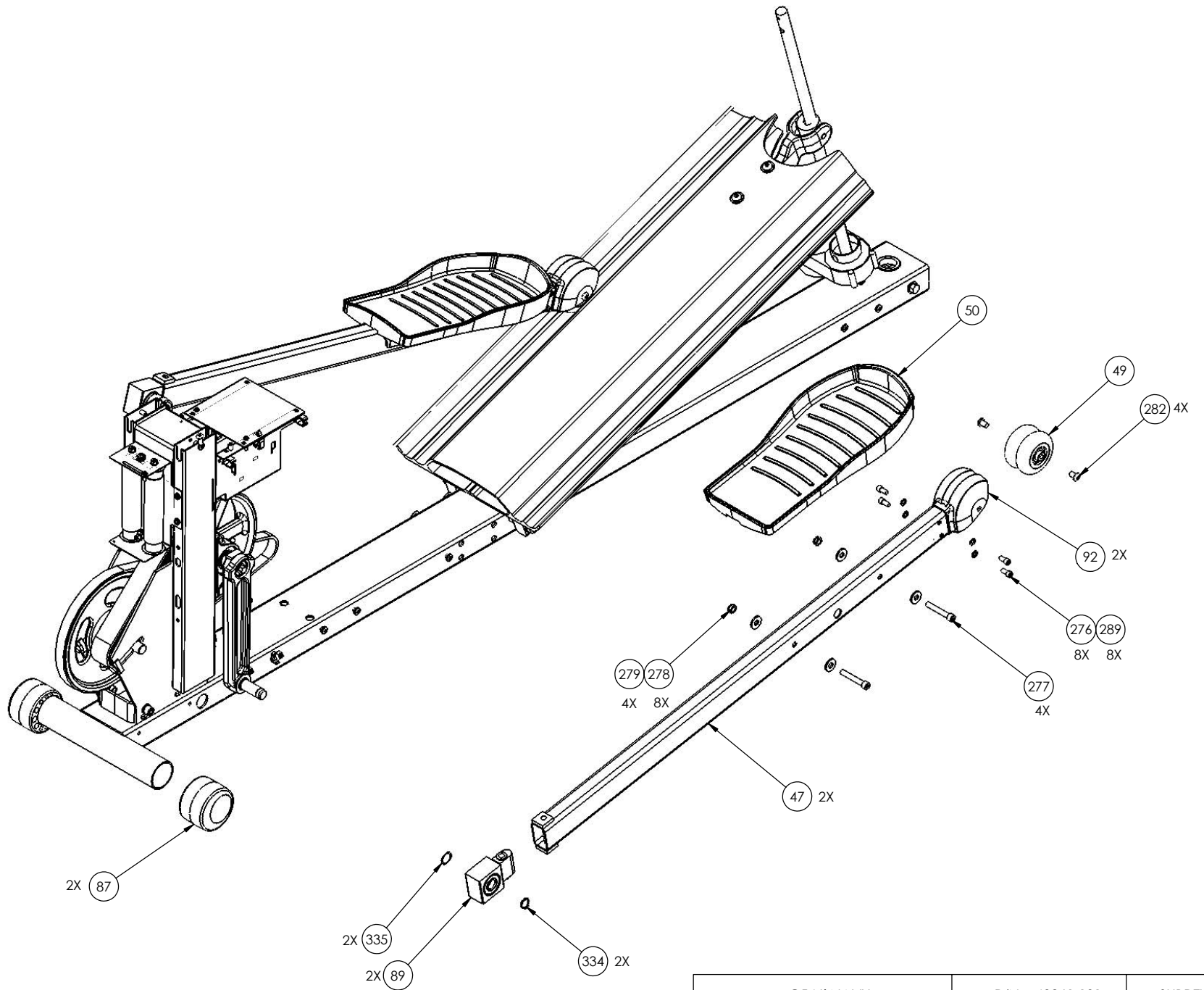
SHEET 1 OF 7



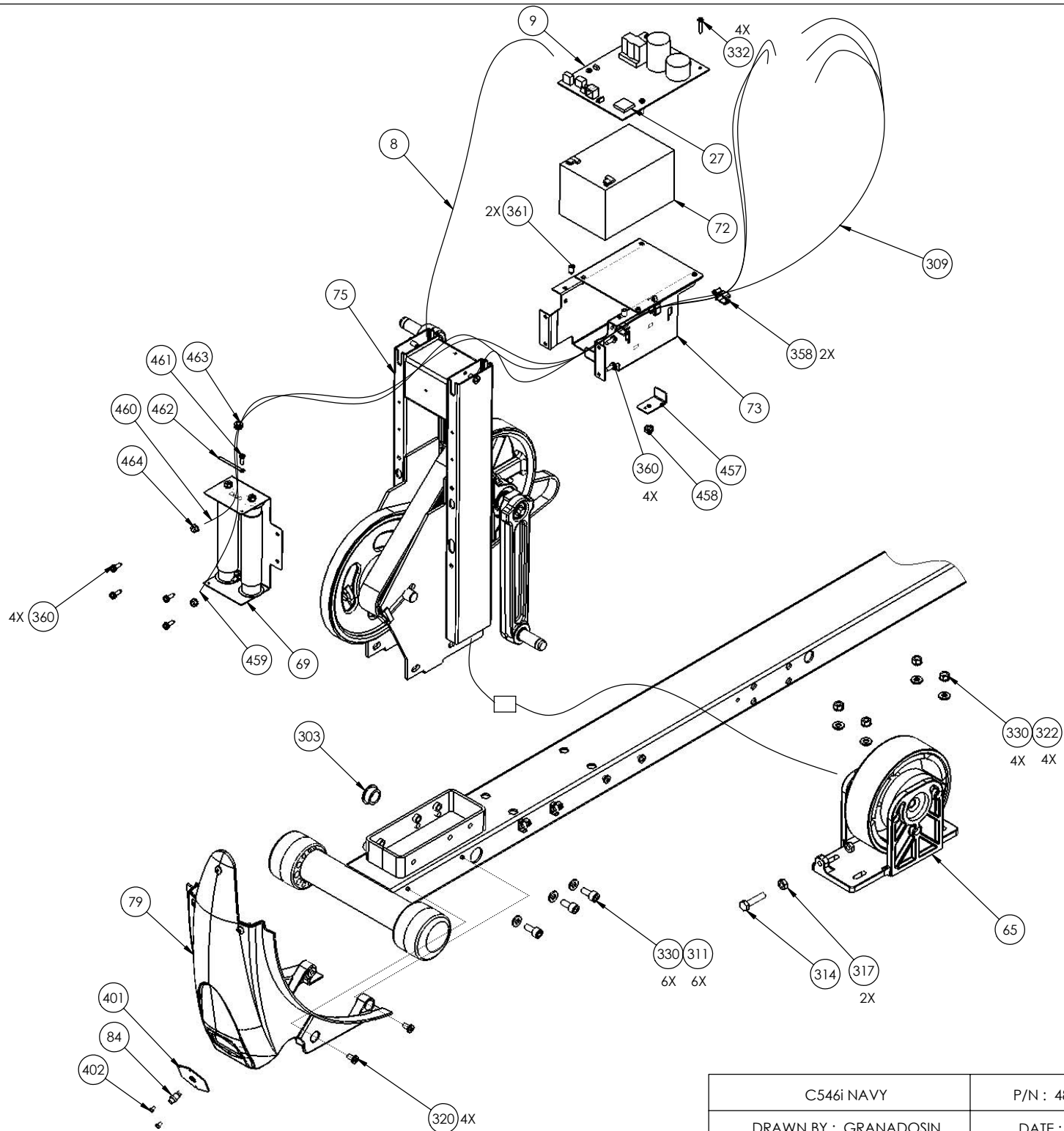
C546i NAVY	P/N : 48261-101	SUBREV : C
DRAWN BY : GRANADOSIN	DATE : 05.11.05	SHEET 2 OF 7



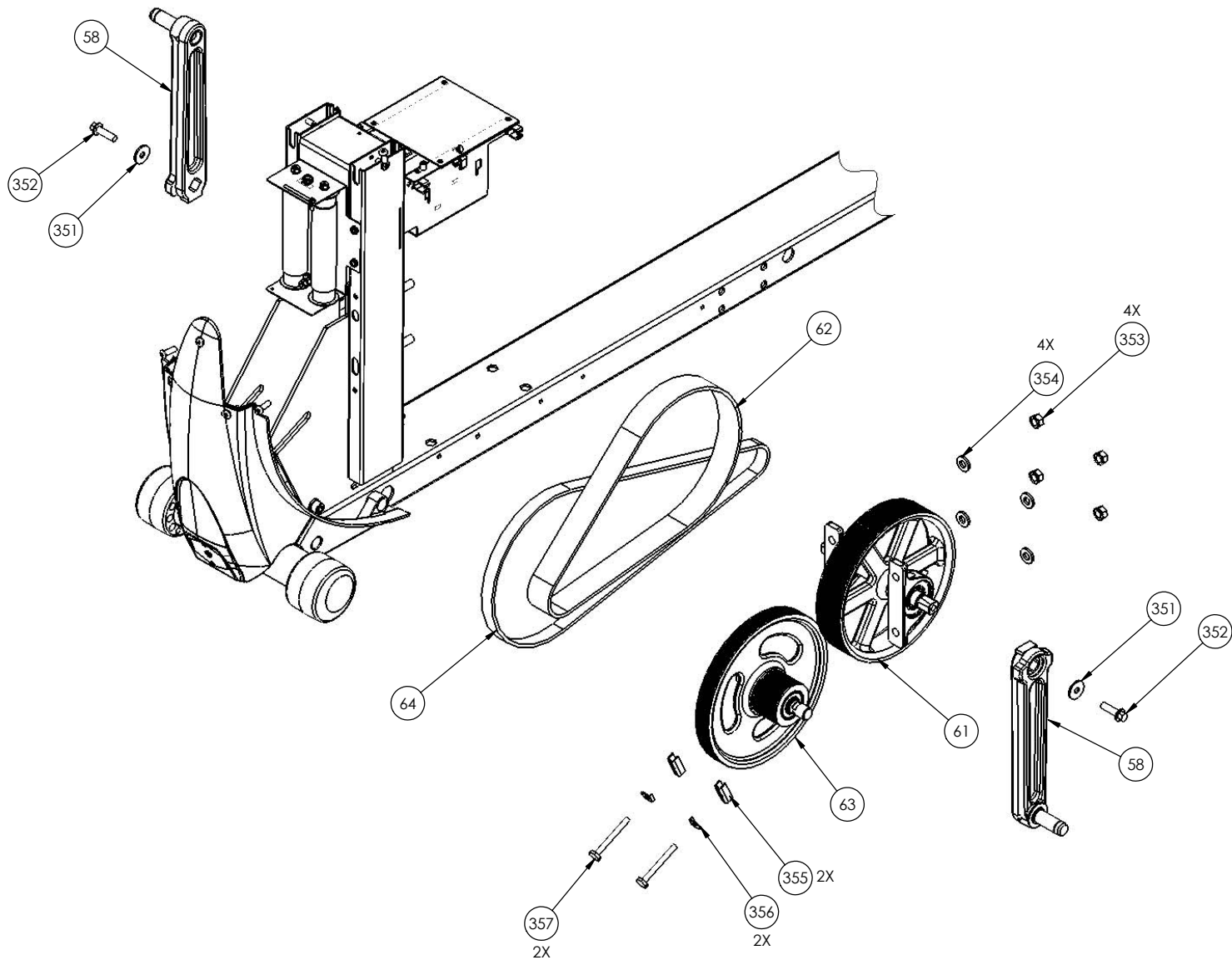
C546i NAVY	P/N : 48261-101	SUBREV : C
DRAWN BY : GRANADOSIN	DATE : 05.11.05	SHEET 3 OF 7



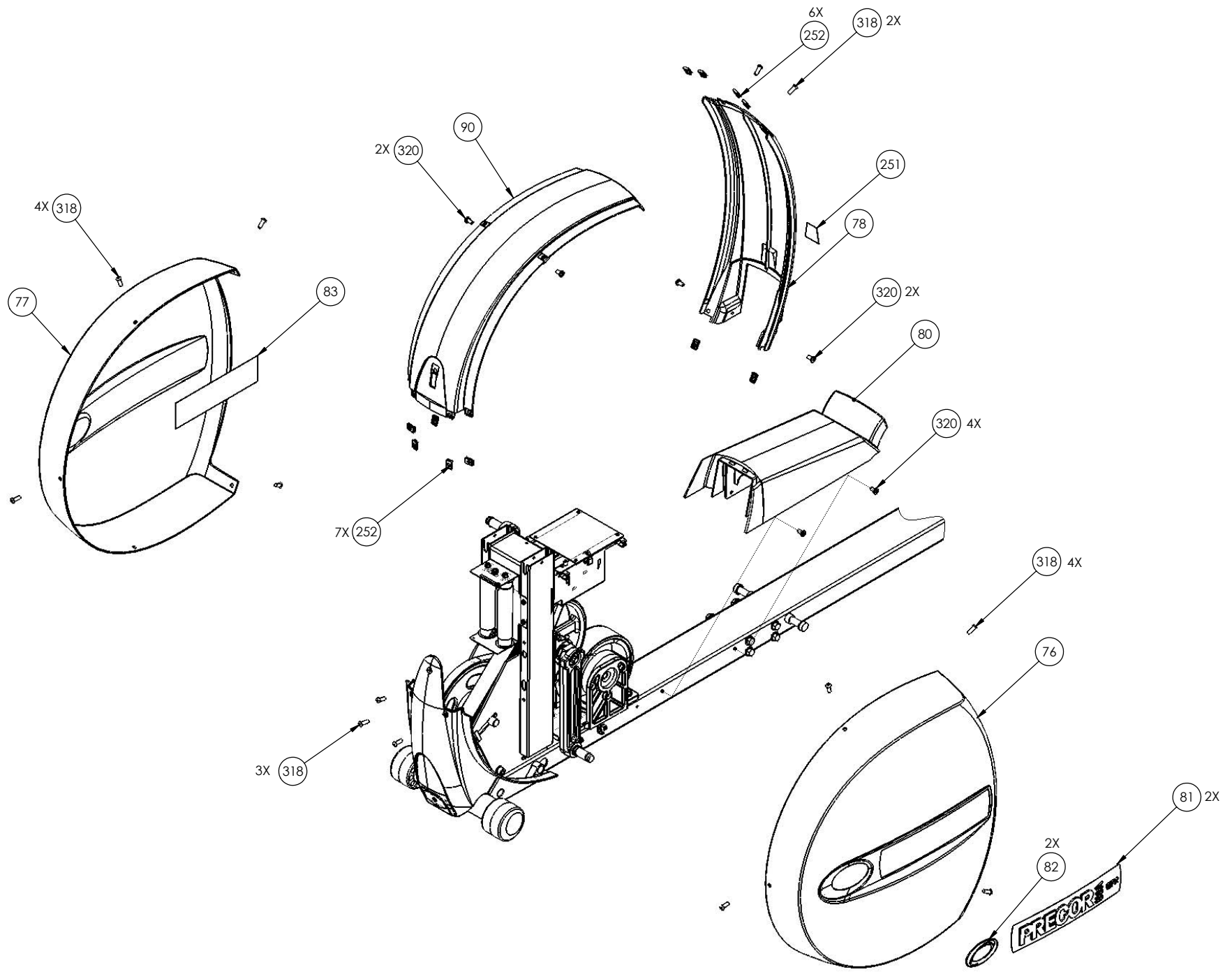
C546i NAVY	P/N : 48261-101	SUBREV : C
DRAWN BY : GRANADOSIN	DATE : 05.11.05	SHEET 4 OF 7



C546i NAVY	P/N : 48261-101	SUBREV : C
DRAWN BY : GRANADOSIN	DATE : 05.11.05	SHEET 5 OF 7



C546i NAVY	P/N : 48261-101	SUBREV : C
DRAWN BY : GRANADOSIN	DATE : 05.11.05	SHEET 6 OF 7



C546i NAVY	P/N : 48261-101	SUBREV : C
DRAWN BY : GRANADOSIN	DATE : 05.11.05	SHEET 7 OF 7

**C546i (Navy)(serial code AYXG, AEJD)**

<b>Part Number</b>	<b>Description</b>	<b>Bubble Number</b>
45352-102	WLDMT, LWR FRM, VERT EFX, THD, PT	1
45751-104	ASSY, UPPER PCA & SW, C546I-T2	4
48022-101	ASSY, DISPLAY, LABEL, LARGE KEYPAD,	6
44905-084	ASSY,CBL,MOD,8P8C,1-1,84"	7
44905-108	ASSY,CBL,MOD,8P8C,1-1,108"	8
45600-545	PCA, EFX SELF POWER LOWER, 6-PHASE,	9
47070-102	ASSY, LOWER PCA & SW, SP EFX, 6-PHA	9.01
45146-202	ACTUATOR, LIFT,SELF POWERED EFX, W/	16
44491-105	ASSY, HANDLEBAR, LEFT, 5.23/5.21I,	21
45391-103	ASSY, HANDLEBAR, LEFT, C546INAVY/C5	21
44491-106	ASSY, HANDLEBAR, RIGHT, 5.23/5.21I,	22
47043-311	CPU, PGMD, EFX SELF POWER, 6-PHASE,	27
11415-101	COUPLER,MOD,8P8C,INLINE	29
48026-101	RECEIVER, WIRELESS, HEART RATE, POL	32
44411-103	TOUCHSENSOR SHIELD,23-KEY,T2/C2/T3/	35
43329-102	WIRE FORM,PLASTIC,COMMERCIAL	36
44487-101	WELD, ARC TUBE, THREADED, 5.23,PT	37
44487-102	WELDMENT, ARC TUBE, THREADED, 5.23,	37
44379-102	COVER,FRONT,RIGHT,STONE GRAY	38
44454-102	COVER, FRONT, LEFT, STONE GRAY	39
44555-102	ASSY, EFX COVER, FRONT, TOP, STONE	40
44384-102	COVER, UPPER MOUNT, RETAIL EFX, STO	41
44318-106	WELDMENT, MAIN TUBE, RIGHT, RETAIL	42
44318-105	WELDMENT, MAIN TUBE, LEFT, RETAIL E	43
45789-102	ASSY, RAMP, C546NAVY/C546INAVY	44
44333-103	ASSY, RAMP, LIFT BRKT, RETAIL EFX	45
45517-103	ASSY, LIFT NUT AND YOKE	46
50570-101	ASSY, STAIRARM/ RAIL PIVOT,C546	47
50578-102	ASSY, STAIRARM WHEEL, LARGE BEARING	49
50588-102	EFX WHEEL & COVER REPLACEMENT KIT	49.01
37314-108	PEDAL, FOOT	50
44557-104	ASSEMBLY, CRANK ARM, COMMERCIAL, WI	58
45976-101	ASSEMBLY, DRIVE INPUT,17:1 DRIVE, E	61
10217-138	BELT, DRIVE, 360J16 POLY V	62
45974-101	ASSY,STEP-UP,17:1 DRIVE,EFX	63
10217-139	BELT, DRIVE, 460J8 POLY V	64
45987-102	GENERATOR, 6 PHASE WITH PRESSED ON	65
50592-101	RETROKIT ADAPTOR CABLE/GENERATOR	65.01
39700-101	ASSEMBLY, RESISTOR, 240W	69
45970-101	ASSY, BATTERY W/CABLE,SLA,12V,7AH,.	72
45908-105	BRACKET, BATTERY, LARGE, SELF POWER	73
45909-101	SPACER, BATTERY BRACKET, SELF-POWER	74
44940-101	ASSY,DRIVE WELDMT,SP EFX	75
44527-109	ASSY, EFX COVER, RIGHT SIDE	76
44527-110	ASSY, EFX COVER, LEFT SIDE, SP	77
44479-102	ASSY, FRONT PANEL, EFX COVER, REAR,	78
43707-103	SUPPORT, REAR COVER,STONE GRAY	79
43840-102	WEDGE, REAR COVER, EFX,STONE GRAY	80
47347-101	LABEL, EFX COVER, REAR, STONE GREY	81
47355-101	LABEL, EFX LOGO, REAR COVER, DURO-L	82
47086-102	LABEL, WIRING DIAGRAM,C546I/C556I/C	83
45252-035	ASSY,CBL,2C,PWR JACK/.08 RECP,35"	84
43179-104	BACKPLATE, DISPLAY, COMMERCIAL ,STO	85
11406-103	FOOT, LEVELER, RUBBER BASE, 1.5"LG	86
37534-102	FOOT, ADJUSTABLE	87
37535-102	FOOT, FIXED	88
38264-103	ASSY, RAIL, PIVOT BLOCK/BEARING	89
44480-103	ASSY, TOP PANEL, EFX COVER, REAR	90



43702-504	WHEEL, COVER, 556, PT	92
11075-110	FUSE,6.30A,250VAC,SLOW,RADIAL	95
12264-101	RJ-45 TELEPHONE JACK PLUG	101
PMKN016-050	SCREW,TCS,#8X1/2,PHIL,BLK ZN,TYPE25	151
47334-111	LABEL, ACCESSORY TRAY, EN, 546I	152
45696-022	ASSY,CBL,FFC,12COND,28AWG,2.2"	154
MGCN016-038	SCREW,MCH,8-32X3/8,PANHD,PHIL,	156
10123-102	CABLE TIE, 3-7/8 LONG,WHITE,NYL	160
37499-102	CLAMP, HANDLEBAR,BLACK, PT	176
37499-103	CLAMP, HANDLEBAR,BLACK, PT	176
CAKN025-125	SCREW,SKHD,1/4-20X1.25,BLK ZN,LK	177
PNKN025-075	SCREW,PANHD,PHIL,TYPEF,1/4-20X.75,B	178
47718-102	HOLE PLUG, PLASTIC .875 X.13-.18	179
CAKN025-063	SCREW,SKHD,1/4-20X5/8,BLK ZN,LK	201
47546-101	LABEL, CAUTION	251
10136-103	CLIP,U TYPE, TINNERMAN, 1/4-20	252
CCNN025-063	SCREW,SKHD,1/4-20X5/8,SS,LK	276
CCNN031-200	SCREW,SKHD,5/16-18X2,SS,LK	277
KADN031-016	LOCKNUT,HALF,5/16-18,CAD PLT	278
WPNN038-008	WASHER,FLT,5/16X.875X.104,SS	279
TCNN031-050	SCREW,BTHD,5/16-18, 1/2,SS	282
WPNN026-003	WASHER, FLAT, .255 X .468 X .029, S	289
10178-107	BUSHING, SNAP	303
10178-112	BUSHING, SNAP	304
45205-102	ASSY,CBL,18AWG,6P5C,MINI-FIT,102"	308
47095-042	ASSY,CBL,22AWG,6P6C TO 8P6C,MINI-FI	309
CAKN031-075	SCREW,SKHD,5/16-18X0.75,BLK ZN,LK	311
CBKN016-100	SCREW,SKHD,8-32X1,BLK ZN	312
CCKN038-150	SCREW,SKHD,3/8-16X1.50,BLK ZN,LK	313
HJCN031-150	SCREW,HEX,5/16-18X1.50,ZINC,FULLY	314
KAKN038-027	LOCKNUT,HALF,3/8-16,BLK ZN	315
KECN016-019	LOCKNUT, FULL 8-32, ZINC	316
KMCN031-023	NUT, HEX, 5/16-18, ZINC	317
TFKN025-075	SCREW,BTHD,1/4-20X3/4,BLK ZN	318
PANKN025-050	SCREW,S/T,#1/4-20X1/2,PANHD,PHIL,BZ	320
RAKN038-125	SCREW,SHLD,3/8X1-1/4,HEXSC,BLK ZN	321
KGCN031-027	LOCKNUT,STARWASHER,5/16-18,1/2	322
TCNN038-275	SCREW, BTHD,3/8-16X 2.75, SS	323
WAGNN048-001	WASHER,WAVE (SSR-0062)	324
WBFNN047-002	WASHER,MYLAR,7/16	326
WNNN051-002	WASHER,SHIM,1/2X3/4X.020THK	327
WPNN038-006	WASHER, FLAT, 3/8 X 1/16 THK,	329
WRCN031-009	WASHER,GRADE 8,3/8,13/32 ID,13/16OD	330
PMKN016-088	SCREW,TCS,#8X7/8,PHIL,BLK ZN,TYPE 2	332
KDKN038-034	LOCKNUT,FULL,3/8-16,BLK ZN	333
ABHN017-001	RING, RETAINER, EXTERNAL	334
WAGNN062-001	WASHER, WAVE, .87 OD X .62 ID	335
WNNN032-009	WASHER,FLT, .321X1.00X.090 THK	351
HTKT008-018	BOLT,SHIMANO CRANK,M8X18MM, NYLK	352
WRCN038-011	WASHER,GRADE 8,3/8,13/32 ID,13/16OD	353
KGCN038-033	LOCKNUT, STARWASHER, 3/8-16	354
37385-101	BRACKET, TENSIONER	355
37855-103	TAB, LOCKING	356
HACN025-250	SCREW,1/4-20X2-1/2,HEX,GR 2,ZN	357
12515-101	CLAMP, CABLE, BLACK, RELEASABLE ON	358
PKCN019-050	SCREW,S/T,#10X1/2,WSHHXHD,ZN	360
12289-806	SPCR,SELFRETAIN,NYLN,#8(M-4),3/8"	361
44966-102	PLATE,CHARGER CONNECTOR,SP, EFX	401
MGKN013-025	SCREW,MCH,6-32X1/4,PANHD,PHIL,	402
45910-101	TAB, BATTERY BRACKET, SELF-POWERED	457

KGCN025-020	LOCKNUT,STARWASHER,1/4-20,ZN	458
47098-031	ASSY,CBL, HIGH TEMP, 600V,	459
47098-027	ASSY,CBL, HIGH TEMP, 600V,	460
PMKN016-050	SCREW,TCS,#8X1/2,PHIL,BLK ZN,TYPE25	461
12103-101	CLAMP,CABLE,VINYL COATED	462
10379-109	GROMMET, 49/64 OD, 1/4 ID	463
KNCN019-013	NUT,HEX,10-32,ZINC	464
PKCN019-075	SCREW,S/T,#10X.75,WSHHXHD,ZN	526
WBCN019-005	WASHER, SAE, #10, ZN	527
44495-101	KIT, HARDWARE, THREADED, 5.23	901
10186-101	WRENCH, ALLEN, 5/32	902
10186-103	WRENCH, ALLEN, 3/16	903
11311-101	ENDCAP, REC TUBE, BLACK PLASTIC, 50	904
HAKN038-100	SCREW,HEXHEAD,GRADE2,3/8-16X1,BLKZN	905
KPCN031-019	NUT,HEX THIN,5/16-18,ZN	906
MGKN025-050	SCREW, PANHD, 1/4-20 X .5, BLK ZN	907
TFKN025-075	SCREW,BTHD,1/4-20X3/4,BLK ZN	908
WBKN038-007	WASHER, FLT, 3/8, ID=.406, BLK ZN	909
38819-102	TRANSMITTER, HEARTRATE,W/STRAP	910
45852-104	KIT, LITERATURE, C546INAVY, STONE	999